

Onyx Ultra

PSA Oxygen Generator



Combining high flow and high output pressure in a self-contained, transportable design makes the Onyx Ultra a premier oxygen generator. With thousands in use throughout the world, it offers time-proven ruggedness and reliability making it the perfect fit for many applications.

Features

- Up to 95% oxygen concentration
- Internal oxygen monitor
- Easy to install and maintain
- Expanded alarms for ease of troubleshooting
- Low operating costs and energy efficient
- Reduced noise level for different environments

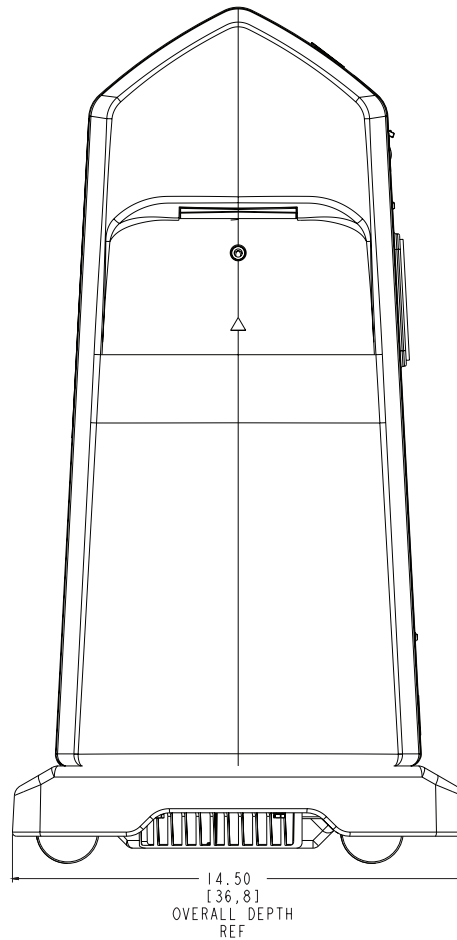
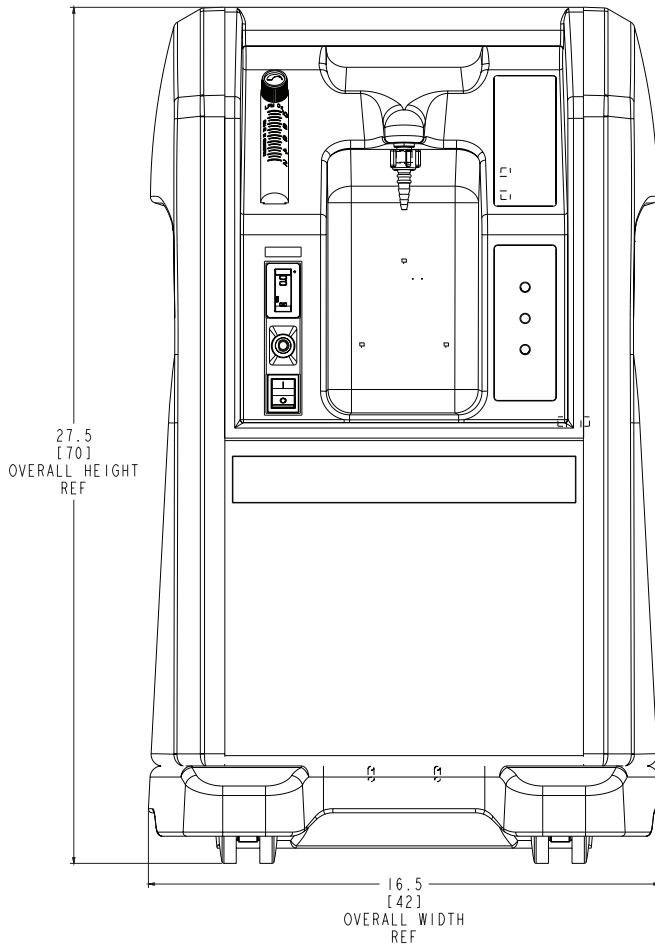
Typical Applications

- Aquaponics
- Environmental Remediation
- Fish Farming
- Glass Work/Blowing
- Jewelry/Brazing/Soldering
- Hydroponics
- Laboratory Experiments
- Ozone (Generator) Feed Gas

Specifications

| | |
|--|--|
| Product Flow ¹ | 21 SCFH (0.55 Nm ³ /hr or 10 SLPM) |
| Product Pressure | 20 psig (138 kPa or 1.37 barg) |
| Product Concentration | 2-9 SLPM: 92% +3.5/-3% 10 SLPM: 90% +5.5/-3% |
| Dimensions (W x D x H) (Nominal) | 16.5 x 14.5 x 27.5 in (41.9 x 36.8 x 69.9 cm) |
| Weight | 58 lb (26.3 kg) |
| Physical Connection Product Gas Outlet | B size oxygen adapter |
| Operating Environment | 41°F to 104°F (5°C to 40°C), 15–90% humidity |
| Control Power Requirements (Single Phase) | 120 V ~ ±10%, 60 Hz, 6.0 A 220 V ~ ±10%, 50 Hz, 3.0 A |
| NRTL Certifications and Approvals | CAN/CSA-C22.2 No. 61010-1-12, UL 61010-1 (120 V configurations only) |

¹ SCF (Standard cubic foot) gas measured at 1 atmosphere and 70°F / Nm³ (Normal cubic meter) gas measured at 1 atmosphere and 0°C / SLPM (Standard liters per minute) gas measured at 1 atmosphere and 21°C



Note: All dimensions are nominal.

Ordering Information

| Model | Part Number | Description |
|---------------------------------|-------------|---|
| Onyx Ultra | AS121-1 | 120 V ~ ±10%, 60 Hz ¹ |
| | AS121-2 | 220 V ~ ±10%, 50 Hz ¹ |
| Optional Accessories | AN021-1 | Oxygen Analyzer (Maxtec Handi) |
| | AN005-1 | Oxygen Analyzer (Maxtec Max O ₂ Plus) |
| | AN075-1 | Oxygen Analyzer/Sensor (Maxtec Max O ₂ Plus) |
| Shipping Information | | Onyx Ultra |
| Class | | 92.5 |
| Commodity Classification Number | | 8421.39.8040 |
| Dimensions (L x W x H) | | 17 x 16 x 34 in (44 x 40 x 85 cm) |
| Approximate Gross Weight | | 66 lb (30 kg) |

Warranty: 1 Year Parts and Factory Labor*

* An unprotected or inadequately ventilated environment, or improper control power may cause damage to the oxygen generator not covered under warranty.

All performance ratings based on an ambient temperature up to 100°F (38°C), up to 1,000 feet elevation, and 80% relative humidity.



© 2022 AirSep Corporation. All Rights Reserved.
AirSep reserves the right to discontinue its products, or change the prices, materials, equipment, quality, descriptions, specifications and/or processes to its products at any time without prior notice and with no further obligation or consequence. Any rights expressly stated herein are reserved by us, as applicable.



260 Creekside Drive
Buffalo, NY 14228-2075 U.S.A.
Tel: (716) 691-0202 ■ Fax: (716) 691-1255
www.airsep.com ■ info@airsep.com
ML-IND0073 A